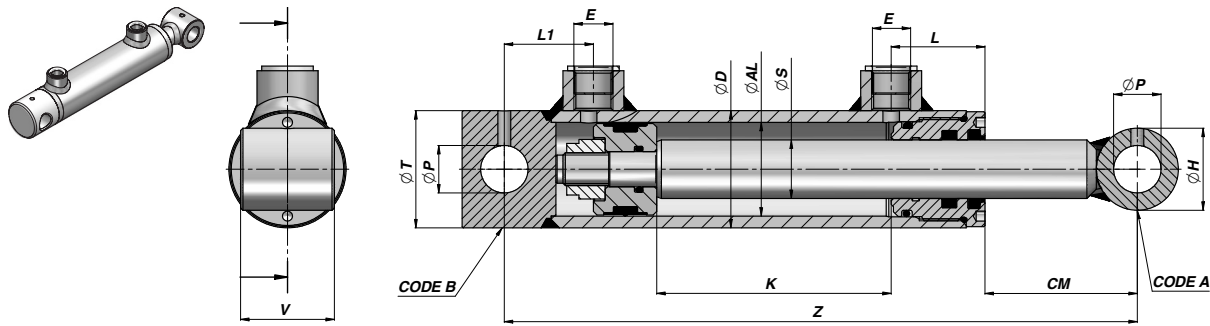


**SCONTO**

**RISERVATO**

**SU PREZZI**

**DI LISTINO 28%**



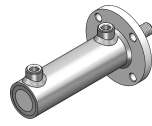
Codice Code Bestell-Nr.	K	Z	kg	E BSP	L	L1	CM	ØP	ØH	V	ØT	Code A	Code B	Codice Code Bestell-Nr.	K	Z	kg
<b>ØD 35 ØAL 25 ØS 16</b>																	
HFR0160050	50	160	1,00														
HFR0160100	100	210	1,20														
HFR0160150	150	260	1,40														
HFR0160200	200	310	1,70	1/4"	33	22	31	12,1	25	25	35	CBF0012025025	CFHR035025				
<b>ØD 42 ØAL 32 ØS 20</b>																	
HFR0200050	50	205	1,70														
HFR0200100	100	255	2,10														
HFR0200150	150	305	2,40														
HFR0200200	200	355	2,80														
HFR0200250	250	405	3,10	1/4"	33	35	51	16,2	30	35	40	CBF0016030035	CFHR040032				
HFR0200300	300	455	3,50														
HFR0200400	400	555	4,20														
HFR0200500	500	655	4,80														
<b>ØD 50 ØAL 40 ØS 25</b>																	
HFR2S0400250100	100	270	3,00														
HFR2S0400250150	150	320	3,40														
HFR2S0400250200	200	370	3,90														
HFR2S0400250250	250	420	4,40														
HFR2S0400250300	300	470	4,80														
HFR2S0400250400	400	570	5,80	3/8"	40	38	65	20,25	35	40	50	CBF1020035040	CFHR040020040				
HFR2S0400250500	500	670	6,70														
HFR2S0400250600	600	770	7,60														
HFR2S0400250700	700	870	8,60														
HFR2S0400250800	800	970	9,50														
<b>ØD 60 ØAL 50 ØS 30</b>																	
HFR2S0500300100	100	300	4,40														
HFR2S0500300150	150	350	5,00														
HFR2S0500300200	200	400	5,60														
HFR2S0500300250	250	450	6,20														
HFR2S0500300300	300	500	6,90														
HFR2S0500300400	400	600	8,10	3/8"	43	42	85	25,25	40	45	60	CBF1025040045	CFHR050025049				
HFR2S0500300500	500	700	9,30														
HFR2S0500300600	600	800	10,50														
HFR2S0500300700	700	900	11,80														
HFR2S0500300800	800	1000	13,00														
HFR2S0500300900	900	1100	14,20														
HFR2S0500301000	1000	1200	15,50														

# CILINDRI STANDARD

## HMOPM

CILINDRO DOPPIO EFFETTO  
STANDARD

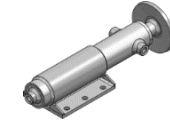
CODICE	ØD	ØAL	ØS	K	Listino	Sc	Netto
HMOPM060040020	75	60	40	200	224,40	0	224,40
HMOPM060040040	75	60	40	400	251,80	0	251,80
HMOPM060040060	75	60	40	600	279,20	0	279,20
HMOPM060040080	75	60	40	800	306,60	0	306,60
HMOPM060040100	75	60	40	1000	334,00	0	334,00
HMOPM070040020	85	70	40	200	257,85	0	257,85
HMOPM070040040	85	70	40	400	287,50	0	287,50
HMOPM070040060	85	70	40	600	317,20	0	317,20
HMOPM070040080	85	70	40	800	346,85	0	346,85
HMOPM070040100	85	70	40	1000	376,50	0	376,50
HMOPM080050020	100	80	50	200	318,95	0	318,95
HMOPM080050040	100	80	50	400	363,20	0	363,20
HMOPM080050060	100	80	50	600	407,45	0	407,45
HMOPM080050080	100	80	50	800	461,55	0	461,55
HMOPM080050100	100	80	50	1000	505,80	0	505,80
HMOPM090060020	110	90	60	200	366,60	0	366,60
HMOPM090060040	110	90	60	400	419,95	0	419,95
HMOPM090060060	110	90	60	600	486,45	0	486,45
HMOPM090060080	110	90	60	800	539,85	0	539,85
HMOPM090060100	110	90	60	1000	593,20	0	593,20
HMOPM100060020	120	100	60	200	406,80	0	406,80
HMOPM100060040	120	100	60	400	462,55	0	462,55
HMOPM100060060	120	100	60	600	531,45	0	531,45
HMOPM100060080	120	100	60	800	587,20	0	587,20
HMOPM100060100	120	100	60	1000	643,00	0	643,00
HMOPM120070020	145	120	70	200	581,45	0	581,45
HMOPM120070040	145	120	70	400	666,65	0	666,65
HMOPM120070060	145	120	70	600	758,40	0	758,40
HMOPM120070080	145	120	70	800	843,60	0	843,60
HMOPM120070100	145	120	70	1000	925,50	0	925,50



## HMF

CILINDRO DOPPIO EFFETTO  
FLANGIATO

CODICE	ØD	ØAL	ØS	K	Listino	Sc	Netto
HMF1200100	50	40	20	100	137,10	0	137,10
HMF1200200	50	40	20	200	141,35	0	141,35
HMF1200300	50	40	20	300	145,60	0	145,60
HMF1200400	50	40	20	400	149,80	0	149,80
HMF1200500	50	40	20	500	154,10	0	154,10
HMF2300100	60	50	30	100	161,15	0	161,15
HMF2300200	60	50	30	200	167,10	0	167,10
HMF2300300	60	50	30	300	173,05	0	173,05
HMF2300400	60	50	30	400	179,00	0	179,00
HMF2300500	60	50	30	500	184,95	0	184,95
HMF3350100	70	60	35	100	191,35	0	191,35
HMF3350200	70	60	35	200	198,70	0	198,70
HMF3350300	70	60	35	300	206,00	0	206,00
HMF3350400	70	60	35	400	213,35	0	213,35
HMF3350500	70	60	35	500	220,70	0	220,70
HMF4400100	80	70	40	100	216,45	0	216,45
HMF4400200	80	70	40	200	225,25	0	225,25
HMF4400300	80	70	40	300	234,05	0	234,05
HMF4400400	80	70	40	400	242,90	0	242,90
HMF4400500	80	70	40	500	251,70	0	251,70
HMF4500100	95	80	50	100	274,25	0	274,25
HMF4500200	95	80	50	200	288,65	0	288,65
HMF4500300	95	80	50	300	303,05	0	303,05
HMF4500400	95	80	50	400	317,40	0	317,40
HMF4500500	95	80	50	500	331,80	0	331,80
HMF6500100	115	100	50	100	347,15	0	347,15
HMF6500200	115	100	50	200	363,15	0	363,15
HMF6500300	115	100	50	300	379,15	0	379,15
HMF6500400	115	100	50	400	395,15	0	395,15
HMF6500500	115	100	50	500	411,15	0	411,15

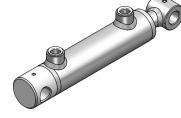


## HMS

CILINDRO STABILIZZATORE

CODICE	ØD	ØAL	ØS	K	Listino	Sc	Netto
HMS00400250200	50	40	25	200	261,60	0	261,60
HMS00400250300	50	40	25	300	266,30	0	266,30
HMS00400250400	50	40	25	400	270,95	0	270,95
HMS00400250500	50	40	25	500	275,65	0	275,65
HMS00400250600	50	40	25	600	280,35	0	280,35
HMS00500300200	60	50	30	200	276,50	0	276,50
HMS00500300300	60	50	30	300	282,30	0	282,30
HMS00500300400	60	50	30	400	288,10	0	288,10
HMS00500300500	60	50	30	500	297,20	0	297,20
HMS00500300600	60	50	30	600	304,65	0	304,65
HMS00600350200	70	60	35	200	322,05	0	322,05
HMS00600350300	70	60	35	300	332,45	0	332,45
HMS00600350400	70	60	35	400	339,55	0	339,55
HMS00600350500	70	60	35	500	348,30	0	348,30
HMS00600350600	70	60	35	600	357,05	0	357,05
HMS00600400200	70	60	40	200	328,45	0	328,45
HMS00600400300	70	60	40	300	337,95	0	337,95
HMS00600400400	70	60	40	400	345,90	0	345,90
HMS00600400500	70	60	40	500	357,05	0	357,05
HMS00600400600	70	60	40	600	364,95	0	364,95
HMS00700400200	80	70	40	200	363,90	0	363,90
HMS00700400300	80	70	40	300	375,65	0	375,65
HMS00700400400	80	70	40	400	384,15	0	384,15
HMS00700400500	80	70	40	500	395,90	0	395,90
HMS00700400600	80	70	40	600	404,40	0	404,40
HMS00700500200	80	70	50	200	379,10	0	379,10
HMS00700500300	80	70	50	300	392,95	0	392,95
HMS00700500400	80	70	50	400	403,55	0	403,55
HMS00700500500	80	70	50	500	417,40	0	417,40
HMS00700500600	80	70	50	600	428,00	0	428,00

CODICE	ØD	ØAL	ØS	K	Listino	Sc	Netto
HMS00800400200	90	80	40	200	431,90	0	431,90
HMS00800400300	90	80	40	300	442,60	0	442,60
HMS00800400400	90	80	40	400	453,35	0	453,35
HMS00800400500	90	80	40	500	462,40	0	462,40
HMS00800400600	90	80	40	600	474,75	0	474,75
HMS00800500200	90	80	50	200	445,35	0	445,35
HMS00800500300	90	80	50	300	458,20	0	458,20
HMS00800500400	90	80	50	400	472,65	0	472,65
HMS00800500500	90	80	50	500	483,85	0	483,85
HMS00800500600	90	80	50	600	498,30	0	498,30
HMS00900400200	100	90	40	200	473,70	0	473,70
HMS00900400300	100	90	40	300	483,30	0	483,30
HMS00900400400	100	90	40	400	496,10	0	496,10
HMS00900400500	100	90	40	500	505,70	0	505,70
HMS00900400600	100	90	40	600	518,50	0	518,50
HMS00900500200	100	90	50	200	485,50	0	485,50
HMS00900500300	100	90	50	300	500,40	0	500,40
HMS00900500400	100	90	50	400	515,30	0	515,30
HMS00900500500	100	90	50	500	526,95	0	526,95
HMS00900500600	100	90	50	600	541,85	0	541,85
HMS01000400200	110	100	50	200	552,75	0	552,75
HMS01000500300	110	100	50	300	564,90	0	564,90
HMS01000500400	110	100	50	400	583,40	0	583,40
HMS01000500500	110	100	50	500	611,55	0	611,55
HMS01000500600	110	100	50	600	630,05	0	630,05
HMS01000600200	110	100	60	200	573,45	0	573,45
HMS01000600300	110	100	60	300	588,15	0	588,15
HMS01000600400	110	100	60	400	625,25	0	625,25
HMS01000600500	110	100	60	500	643,15	0	643,15
HMS01000600600	110	100	60	600	661,00	0	661,00



## HFR2S

CILINDRO DOPPIO EFFETTO TIPO  
"HFR2S"

CODICE	ØD	ØAL	ØS	K	Listino	Sc	Netto
HFR0160050	35	25	16	50	60,25	0	60,25
HFR0160100	35	25	16	100	62,80	0	62,80
HFR0160150	35	25	16	150	65,35	0	65,35
HFR0160200	35	25	16	200	67,95	0	67,95
HFR0200050	42	32	20	50	65,05	0	65,05
HFR0200100	42	32	20	100	68,10	0	68,10
HFR0200150	42	32	20	150	71,05	0	71,05
HFR0200200	42	32	20	200	74,10	0	74,10
HFR0200250	42	32	20	250	77,05	0	77,05
HFR0200300	42	32	20	300	80,10	0	80,10
HFR0200400	42	32	20	400	86,10	0	86,10
HFR0200500	42	32	20	500	92,05	0	92,05
HFR0200600	42	32	20	600	98,10	0	98,10
HFR0200700	42	32	20	700	104,10	0	104,10
HFR2S0400250100	50	40	25	100	78,05	0	78,05
HFR2S0400250150	50	40	25	150	81,80	0	81,80
HFR2S0400250200	50	40	25	200	85,60	0	85,60
HFR2S0400250250	50	40	25	250	89,40	0	89,40
HFR2S0400250300	50	40	25	300	93,15	0	93,15
HFR2S0400250400	50	40	25	400	100,70	0	100,70
HFR2S0400250500	50	40	25	500	108,25	0	108,25
HFR2S0400250600	50	40	25	600	115,80	0	115,80
HFR2S0400250700	50	40	25	700	123,40	0	123,40

CODICE	ØD	ØAL
--------	----	-----