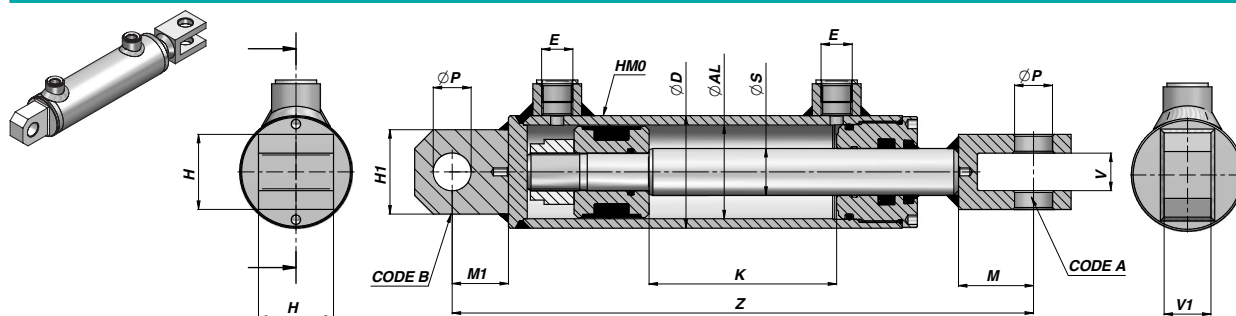


SCONTO

RISERVATO

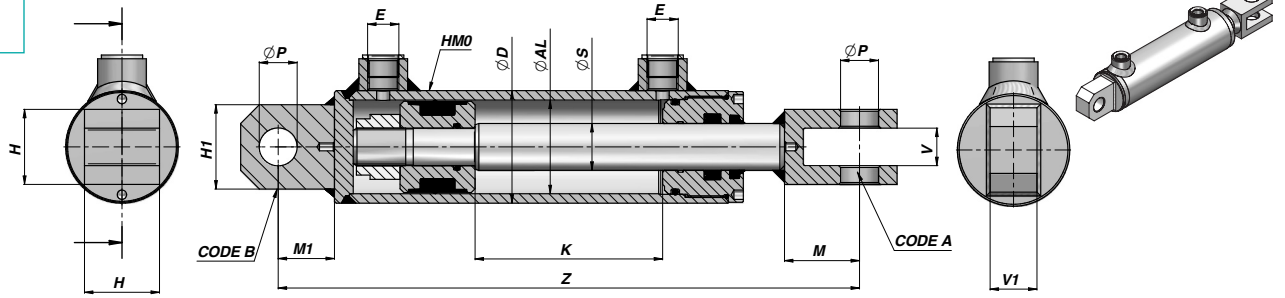
SU PREZZI

DI LISTINO 28%



Codice Code Bestell-Nr.	K	Z	kg	E BSP	ØP	H	V	M	H1	V1	M1	Code A	Code B	Codice Code Bestell-Nr.	K	Z	kg
ØD 42 ØAL 32 ØS 20																	
HM5032200050	50	214	1,79														
HM5032200100	100	264	2,09														
HM5032200150	150	314	2,44														
HM5032200200	200	364	2,79														
HM5032200250	250	414	3,19														
HM5032200300	300	464	3,49														
HM5032200400	400	564	4,19														
HM5032200500	500	664	4,89														
ØD 50 ØAL 40 ØS 20																	
HM51200100	100	289	2,76														
HM51200150	150	339	3,16														
HM51200200	200	389	3,54														
HM51200250	250	439	3,94														
HM51200300	300	489	4,34														
HM51200350	350	539	4,76														
HM51200400	400	589	5,14														
HM51200450	450	639	5,57														
HM51200500	500	689	5,98														
ØD 50 ØAL 40 ØS 25																	
HM51250100	100	289	2,99														
HM51250150	150	339	3,44														
HM51250200	200	389	3,88														
HM51250250	250	439	4,34														
HM51250300	300	489	4,81														
HM51250350	350	539	5,28														
HM51250400	400	589	5,75														
HM51250450	450	639	6,21														
HM51250500	500	689	6,69														
HM51250550	550	739	7,09														
HM51250600	600	789	7,62														
ØD 60 ØAL 50 ØS 25																	
HM52250100	100	310	4,07														
HM52250150	150	360	4,61														
HM52250200	200	410	5,12														
HM52250250	250	460	5,63														
HM52250300	300	510	6,13														
HM52250350	350	560	6,72														
HM52250400	400	610	7,18														
HM52250450	450	660	8,08														
HM52250500	500	710	8,21														
HM52250550	550	760	8,84														
HM52250600	600	810	9,24														
HM52250800	800	1010	11,49														
HM52251000	1000	1210	13,65														
ØD 60 ØAL 50 ØS 30																	
HM52300150	150	360	4,89														
HM52300200	200	410	5,52														
HM52300250	250	460	6,13														
HM52300300	300	510	6,75														
HM52300350	350	560	7,33														
HM52300400	400	610	7,98														
HM52300450	450	660	8,58														
HM52300500	500	710	9,20														
HM52300550	550	760	9,82														
HM52300600	600	810	10,42														
HM52300700	700	910	11,63														
HM52300800	800	1010	12,88														
HM52301000	1000	1210	15,35														
ØD 70 ØAL 60 ØS 35																	
HM53350100	100	340	6,39														
HM53350150	150	390	7,17														
HM53350200	200	440	7,92														
HM53350250	250	490	8,72														
HM53350300	300	540	9,47														
HM53350350	350	590	10,26														
HM53350400	400	640	11,04														
HM53350450	450	690	11,79														
HM53350500	500	740	12,57														
HM53350550	550	790	13,32														
HM53350600	600	840	14,13														
HM53350800	800	1040	17,19														
HM53351000	1000	1240	20,25														

M250



Codice Code Bestell-Nr.	K	Z	kg	E BSP	ØP	H	V	M	H1	V1	M1	Code A	Code B	Codice Code Bestell-Nr.	K	Z	kg
ØD 70 ØAL 60 ØS 40														ØD 73 ØAL 63 ØS 40			
HM53400200	200	440	8,57											HM5063400200	200	440	8,93
HM53400250	250	490	9,46											HM5063400250	250	490	9,83
HM53400300	300	540	10,35											HM5063400300	300	540	10,73
HM53400350	350	590	11,22											HM5063400350	350	590	11,63
HM53400400	400	640	12,11											HM5063400400	400	640	12,53
HM53400450	450	690	12,96	3/8"	25,25	50	25	45	50	30	35	CFS0000025	COF2500000	HM5063400450	450	690	13,43
HM53400500	500	740	13,84											HM5063400500	500	740	14,33
HM53400550	550	790	14,77											HM5063400550	550	790	15,23
HM53400600	600	840	15,62											HM5063400600	600	840	16,13
HM53400800	800	1040	19,14											HM5063400800	800	1040	19,83
HM53401000	1000	1240	22,72											HM5063401000	1000	1240	23,43
ØD 80 ØAL 70 ØS 35														ØD 80 ØAL 70 ØS 40			
HM54350100	100	340	7,42														
HM54350150	150	390	8,28														
HM54350200	200	440	9,07											HM54400200	200	440	9,61
HM54350250	250	490	9,93											HM54400250	250	490	10,59
HM54350300	300	540	10,73											HM54400300	300	540	11,57
HM54350350	350	590	11,59											HM54400350	350	590	12,53
HM54350400	400	640	12,33	3/8"	25,25	50	25	45	50	30	35	CFS0000025	COF2500000	HM54400400	400	640	14,13
HM54350450	450	690	13,21											HM54400450	450	690	14,44
HM54350500	500	740	13,93											HM54400500	500	740	15,34
HM54350550	550	790	14,99											HM54400550	550	790	16,43
HM54350600	600	840	15,53											HM54400600	600	840	17,32
HM54350800	800	1040	18,89											HM54400800	800	1040	21,06
HM54351000	1000	1240	22,59											HM54401000	1000	1240	24,84
ØD 92 ØAL 80 ØS 40														ØD 92 ØAL 80 ØS 50			
HM55400200	200	475	13,22											HM55500200	200	475	14,49
HM55400250	250	525	14,36											HM55500250	250	525	15,87
HM55400300	300	575	15,49											HM55500300	300	575	17,29
HM55400400	400	675	17,70											HM55500400	400	675	20,09
HM55400500	500	775	19,91	1/2"	30,25	60	30	50	60	35	45	CFS0000030	COF3000000	HM55500500	500	775	22,85
HM55400600	600	875	22,12											HM55500600	600	875	26,14
HM55400800	800	1075	26,64											HM55500800	800	1075	31,64
HM55401000	1000	1275	31,06											HM55501000	1000	1275	37,14
ØD 105 ØAL 90 ØS 50																	
HM5090500300	300	616	23,58														
HM5090500400	400	716	26,92														
HM5090500500	500	816	30,25	1/2"	40,25	80	40	70	70	40	60	CFS0000040	COF4000000				
HM5090500600	600	916	33,58														
HM5090500800	800	1116	40,25														
HM5090501000	1000	1316	46,92														
ØD 115 ØAL 100 ØS 50														ØD 115 ØAL 100 ØS 60			
HM56500200	200	540	23,79														
HM56500250	250	590	25,79														
HM56500300	300	640	27,29											HM56600300	300	640	29,79
HM56500400	400	740	30,79											HM56600400	400	740	33,79
HM56500500	500	840	34,29	1/2"	40,25	80	40	70	70	40	60	CFS0000040	COF4000000	HM56600500	500	840	37,79
HM56500600	600	940	37,79											HM56600600	600	940	41,79
HM56500800	800	1140	44,79											HM56600800	800	1140	50,29
HM56501000	1000	1340	51,79											HM56601000	1000	1340	58,79

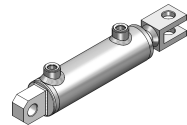
MATERIALE - MATERIAL:

TUBO - TUBE - ROHR: ACCIAIO - STEEL - STAHL St 52.3 DIN 2393 ISO H9

STELO - ROD - KOLBENSTANGE:

ACCIAIO - STEEL - STAHL UNI C45 SAE 1045 - CROMO - CHROME - CHROM: 25 MICRON ±5 Rating 9/120 h ISO 10289 - 1999/ISO 9227-NSS

CILINDRI STANDARD



HM5

CILINDRO DOPPIO EFFETTO
STANDARD CON ATTACCHI

CODICE	ØD	ØAL	ØS	K	Listino	Sc	Netto	CODICE	ØD	ØAL	ØS	K	Listino	Sc	Netto	CODICE	ØD	ØAL	ØS	K	Listino	Sc	Netto
HM5032200050	42	32	20	50	87,25	0	87,25	HM53300100	70	60	30	100	130,40	0	130,40	HM54400100	80	70	40	100	151,30	0	151,30
HM5032200100	42	32	20	100	90,25	0	90,25	HM53300150	70	60	30	150	135,45	0	135,45	HM54400150	80	70	40	150	158,15	0	158,15
HM5032200150	42	32	20	150	93,25	0	93,25	HM53300200	70	60	30	200	140,50	0	140,50	HM54400200	80	70	40	200	164,95	0	164,95
HM5032200200	42	32	20	200	96,20	0	96,20	HM53300250	70	60	30	250	145,55	0	145,55	HM54400250	80	70	40	250	171,80	0	171,80
HM5032200250	42	32	20	250	99,25	0	99,25	HM53300300	70	60	30	300	150,60	0	150,60	HM54400300	80	70	40	300	178,70	0	178,70
HM5032200300	42	32	20	300	102,20	0	102,20	HM53300350	70	60	30	350	155,65	0	155,65	HM54400350	80	70	40	350	185,55	0	185,55
HM5032200400	42	32	20	400	108,20	0	108,20	HM53300400	70	60	30	400	160,75	0	160,75	HM54400400	80	70	40	400	192,55	0	192,55
HM5032200500	42	32	20	500	114,20	0	114,20	HM53300450	70	60	30	450	165,80	0	165,80	HM54400450	80	70	40	450	199,25	0	199,25
HM51200100	50	40	20	100	95,55	0	95,55	HM53300500	70	60	30	500	170,85	0	170,85	HM54400500	80	70	40	500	206,10	0	206,10
HM51200150	50	40	20	150	98,90	0	98,90	HM53300550	70	60	30	550	175,90	0	175,90	HM54400550	80	70	40	550	212,95	0	212,95
HM51200200	50	40	20	200	102,25	0	102,25	HM53300600	70	60	30	600	180,95	0	180,95	HM54400600	80	70	40	600	219,80	0	219,80
HM51200250	50	40	20	250	105,60	0	105,60	HM53300700	70	60	30	700	191,05	0	191,05	HM54400700	80	70	40	700	233,50	0	233,50
HM51200300	50	40	20	300	108,95	0	108,95	HM53300800	70	60	30	800	201,15	0	201,15	HM54400800	80	70	40	800	247,20	0	247,20
HM51200350	50	40	20	350	112,30	0	112,30	HM53301000	70	60	30	1000	221,35	0	221,35	HM54401000	80	70	40	1000	274,60	0	274,60
HM51200400	50	40	20	400	115,65	0	115,65	HM53350100	70	60	35	100	133,45	0	133,45	HM55400200	92	80	40	200	213,50	0	213,50
HM51200450	50	40	20	450	119,00	0	119,00	HM53350150	70	60	35	150	139,00	0	139,00	HM55400250	92	80	40	250	221,20	0	221,20
HM51200500	50	40	20	500	122,35	0	122,35	HM53350200	70	60	35	200	144,55	0	144,55	HM55400300	92	80	40	300	228,85	0	228,85
HM51250100	50	40	25	100	97,85	0	97,85	HM53350250	70	60	35	250	150,10	0	150,10	HM55400400	92	80	40	400	244,15	0	244,15
HM51250150	50	40	25	150	101,60	0	101,60	HM53350300	70	60	35	300	155,60	0	155,60	HM55400500	92	80	40	500	259,45	0	259,45
HM51250200	50	40	25	200	105,35	0	105,35	HM53350350	70	60	35	350	161,20	0	161,20	HM55400600	92	80	40	600	274,75	0	274,75
HM51250250	50	40	25	250	109,10	0	109,10	HM53350400	70	60	35	400	166,75	0	166,75	HM55400700	92	80	40	700	290,15	0	290,15
HM51250300	50	40	25	300	112,85	0	112,85	HM53350450	70	60	35	450	172,25	0	172,25	HM55400800	92	80	40	800	305,40	0	305,40
HM51250350	50	40	25	350	116,60	0	116,60	HM53350500	70	60	35	500	177,80	0	177,80	HM55401000	92	80	40	1000	336,05	0	336,05
HM51250400	50	40	25	400	120,35	0	120,35	HM53350550	70	60	35	550	183,35	0	183,35	HM55500200	92	80	50	200	226,15	0	226,15
HM51250450	50	40	25	450	124,10	0	124,10	HM53350600	70	60	35	600	188,90	0	188,90	HM55500250	92	80	50	250	235,40	0	235,40
HM51250500	50	40	25	500	127,85	0	127,85	HM53350700	70	60	35	700	200,05	0	200,05	HM55500300	92	80	50	300	244,60	0	244,60
HM51250550	50	40	25	550	131,60	0	131,60	HM53350800	70	60	35	800	211,10	0	211,10	HM55500400	92	80	50	400	263,05	0	263,05
HM51250600	50	40	25	600	135,40	0	135,40	HM53351000	70	60	35	1000	233,25	0	233,25	HM55500500	92	80	50	500	281,50	0	281,50
HM52250100	60	50	25	100	110,20	0	110,20	HM53400200	70	60	40	200	153,30	0	153,30	HM55500600	92	80	50	600	300,10	0	300,10
HM52250150	60	50	25	150	114,45	0	114,45	HM53400250	70	60	40	250	159,65	0	159,65	HM55500700	92	80	50	700	318,45	0	318,45
HM52250200	60	50	25	200	118,70	0	118,70	HM53400300	70	60	40	300	165,95	0	165,95	HM55500800	92	80	50	800	336,95	0	336,95
HM52250250	60	50	25	250	122,90	0	122,90	HM53400350	70	60	40	350	172,30	0	172,30	HM55501000	92	80	50	1000	373,85	0	373,85
HM52250300	60	50	25	300	127,15	0	127,15	HM53400400	70	60	40	400	178,65	0	178,65	HM5090500300	105	90	50	300	324,65	0	324,65
HM52250350	60	50	25	350	131,40	0	131,40	HM53400450	70	60	40	450	184,95	0	184,95	HM5090500400	105	90	50	400	346,75	0	346,75
HM52250400	60	50	25	400	135,65	0	135,65	HM53400500	70	60	40	500	191,30	0	191,30	HM5090500500	105	90	50	500	368,90	0	368,90
HM52250450	60	50	25	450	140,00	0	140,00	HM53400550	70	60	40	550	197,65	0	197,65	HM5090500600	105	90	50	600	391,00	0	391,00
HM52250500	60	50	25	500	144,10	0	144,10	HM53400600	70	60	40	600	203,95	0	203,95	HM5090500700	105	90	50	700	413,10	0	413,10
HM52250550	60	50	25	550	148,40	0	148,40	HM53400700	70	60	40	700	216,65	0	216,65	HM5090500800	105	90	50	800	435,25	0	435,25
HM52250600	60	50	25	600	152,60	0	152,60	HM53400800	70	60	40	800	229,30	0	229,30	HM5090501000	105	90	50	1000	479,45	0	479,45
HM52250700	60	50	25	700	161,15	0	161,15	HM53401000	70	60	40	1000	254,65	0	254,65	HM56500200	115	100	50	200	330,70	0	330,70
HM52250800	60	50	25	800	169,60	0	169,60	HM5063400200	73	63	40	200	159,30	0	159,30	HM56500250	115	100	50	250	342,50	0	342,50
HM52251000	60	50	25	1000	186,60	0	186,60	HM5063400250	73	63	40	250	165,90	0	165,90	HM56500300	115	100	50	300	354,40	0	354,40
HM52300100	60	50	30	100	112,50	0	112,50	HM5063400300	73	63	40	300	172,55	0	172,55	HM56500400	115	100	50	400	377,85	0	377,85
HM52300150	60	50	30	150	117,20	0	117,20	HM5063400350	73	63	40	350	179,15	0	179,15	HM56500500	115	100	50	500	401,30	0	401,30
HM52300200	60	50	30	200	121,85	0	121,85	HM5063400400	73	63	40	400	185,75	0	185,75	HM56500600	115	100	50	600	424,75	0	424,75
HM52300250	60	50	30	250	126,55	0	126,55	HM5063400450	73	63	40	450	192,40	0	192,40	HM56500700	115	100	50	700	448,25	0	448,25
HM52300300	60	50	30	300	131,25	0	131,25	HM5063400500	73	63	40	500	199,00	0	199,00	HM56500800	115	100	50	800	471,60	0	471,60
HM52300350	60	50	30	350	135,90	0	135,90	HM5063400550	73	63	40	550	205,65	0	205,65	HM56501000	115	100	50	1000	518,50	0	518,50
HM52300400	60	50	30	400	140,60	0	140,60	HM5063400600	73	63	40	600	212,25	0	212,25	HM56600300	115	100	60	300	374,50	0	374,50
HM52300450	60	50	30	450	145,25	0	145,25	HM5063400700	73	63	40	700	225,50	0	225,50	HM56600400	115	100	60	400	401,65	0	401,65
HM52300500	60	50	30	500	149,95	0	149,95	HM5063400800	73	63	40	800	238,75	0	238,75	HM56600500	115	100	60	500	428,80	0	428,80
HM52300550	60	50	30	550	154,60	0	154,60	HM5063401000	73	63	40	1000	265,25	0	265,25	HM56600600	115	100	60	600	455,95	0	455,95
HM52300600	60	50	30	600	159,30	0	159,30	HM54350100	80	70	35	100	144,10	0	144,10	HM56600700	115	100	60	700	483,25	0	483,25
HM52300700	60	50	30	700	168,65	0	168,65	HM54350150	80	70	35	150	150,20	0	150,20	HM56600800	115	100	60	800	510,40	0	510,40
HM52300800	60	50	30	800	178,00	0	178,00	HM54350200	80	70	35												